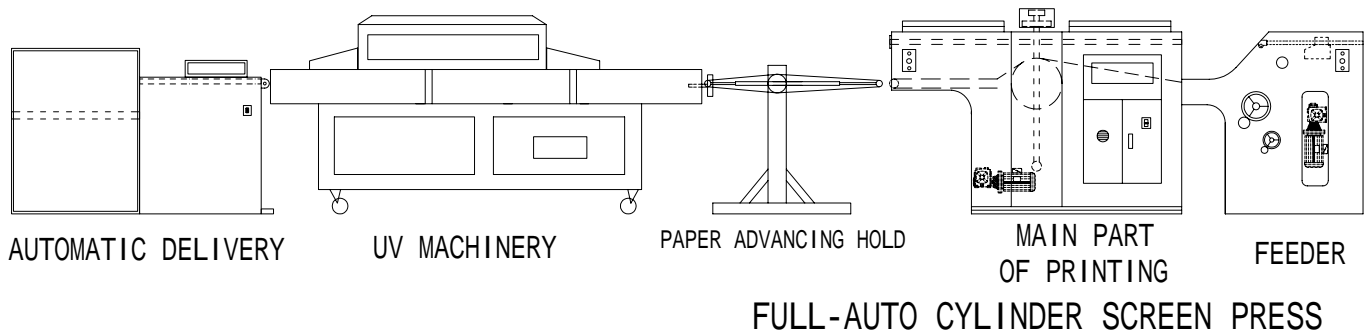


Purchasing scheme:

One: Suit for UV series printing



Full-automatic Cylinder Printing Press + UV photofixation machine + Automatic delivery (optional)

Power of whole machine : 37kw

Power of main part : 10.25kw

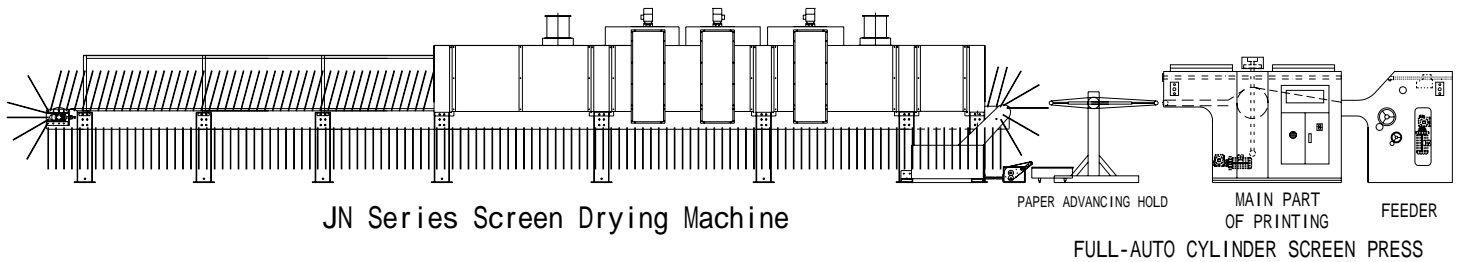
Power of UV solidify machine :26.6kw(power of lamp:8kw+ blower :1.1kw × 2+ moto:0.37kw)、

Power of Automatic delivery : 1.15kw

Characteristics :

It is suitable for UV series screen printing , contains UV special effect such as UV spot varnish、UV full varnish、UV mosha、UV refraction、UV froth、color crystal etc and fake against printing .

Two: Suit for color ink printing of paper, plastic and other single paper materials



Full-automatic Cylinder Printing Press + JB Series Screen Drying Machine

Power of whole machine : about 32kw

Power of main part : 10.25kw

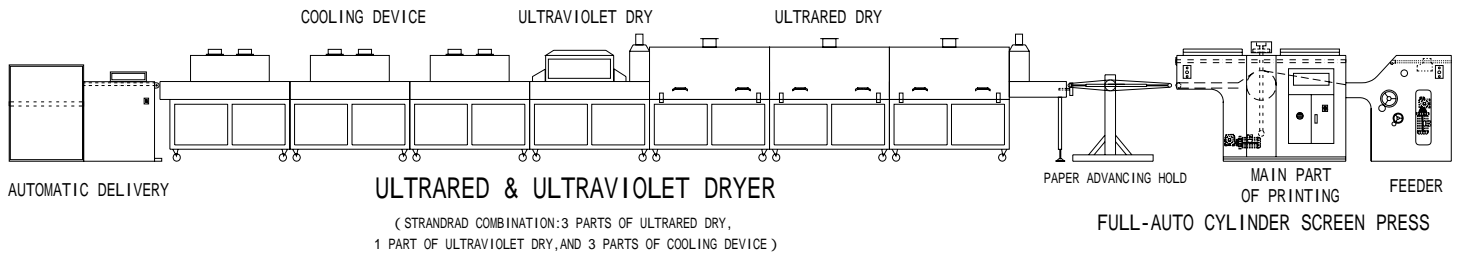
Power of JB series screen drying machine : about 22kw(power of heating silk thread :6kw × 3 groups, main motor:1.5kw, blower :0.25kw × 5, cooling blower : 0.12kw × 7);

When the dryer used with the printing machine together, the power is offered by the printing machine and it is necessary to start the dryer motor.

Application :

Paper and plastic, such as general paper, transfer paper and so on . it meets the need of packing and upholstering products such as paper cases, paper boxes and drumbeating pictures.

Three : Color ink、UV Series



Full-automatic Cylinder Printing Press + UV&IR dryer + Automatic delivery (optional)

Power of whole machine : about 157kw

Power of main part : 10.25kw

Power of UV&IR dryer : 87kw (IR dryer: power of lamp: $2\text{kw} \times 9 \times 3$ groups, power of blower: $0.55\text{kw} \times 2 \times 3$ groups, UV dryer: power of lamp : $8\text{kw} \times 2$, Power of blower: 1.1kw , Cooling device power of blower : $0.12\text{kw} \times 2 \times 2$ groups, air-condition : $0.75\text{kw} \times 2$, inhale $1.5\text{kw} \times 4$, Power of motor: 0.75kw)

Power of Automatic delivery : 1.15kw

Characteristics:

Especially suitable for whole frame

UV Series : UV spot varnish 、 UV full varnish 、 UV mosha、 UV refraction、 UV froth、 color crystal etc and fake against printing .

Color ink series : all silk printing color ink series.

NOTICES: Chamber numbers can be ordered for your demand; the standard combination is 3part of ultrared dry, 1part of UV, 2 parts of cooling device, and 1 part of air-condition.