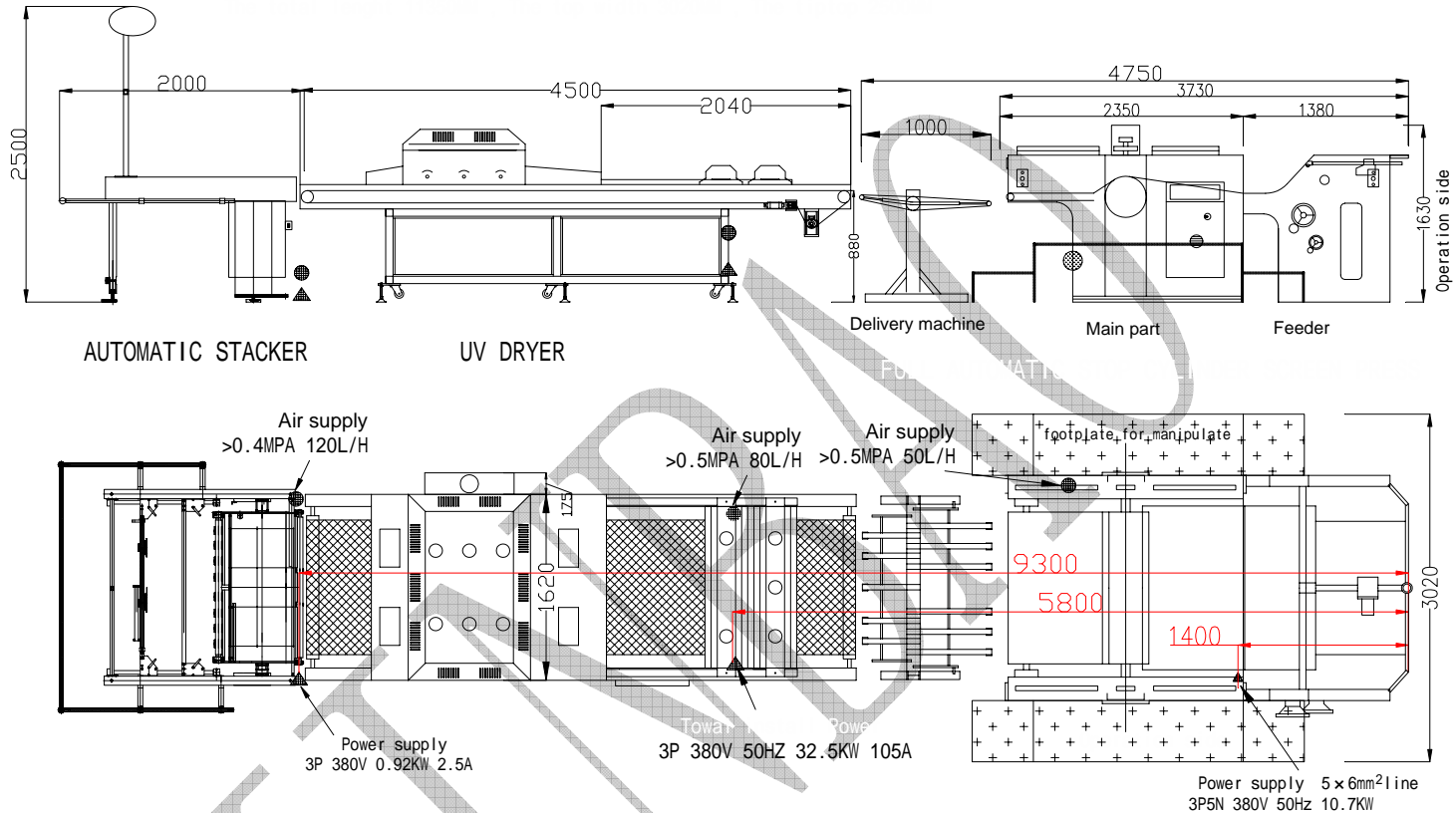


Purchasing scheme:

One: Suit for UV series printing

JB-1050A+JB-1050UVJ+JB-1050S



Full Automatic Stop Cylinder Screen Press + UV photofixation machine + Automatic delivery (optional)

Power of whole machine : 44.1 kw

Power of main part : 10.7kw

Power of UV solidify machine ( JB-1050UVJ ) :32.5kw( power of lamp:8.8kw × 2+7.2kw × 1+ blower :1.1kw × 2+Feeder motor:0.4kw)

Power of Automatic Stacker: 0.92kw

Characteristics:

It is suitable for UV series screen printing, contains UV special effect such as UV spot varnish, UV full varnish, UV abrasive, UV refraction, UV foaming, UV crinkle , UV crystal series, colorful crystal etc and fake against printing.

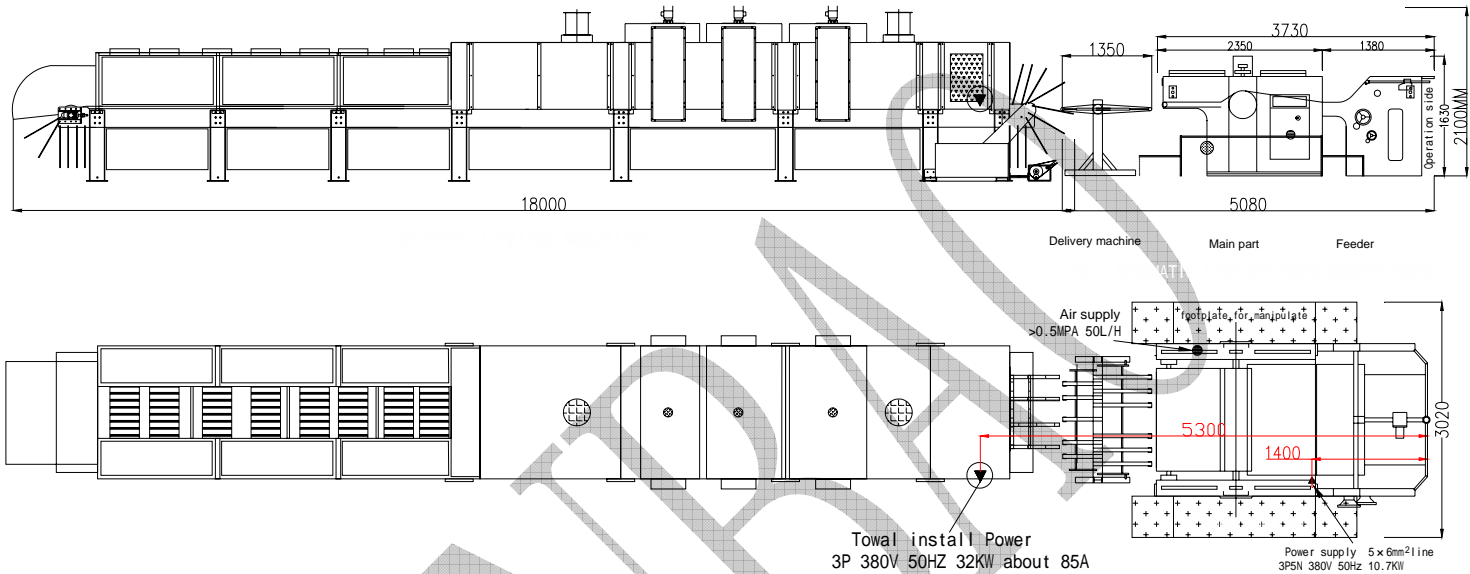
JB-1050UV can use: length 3200MM 29.5Kw

Or choose JB-1050XH: length 6030MM , Can achieve the snow effect , installation power is 34.35kw.

Two: Suit for color ink printing of paper, plastic and other single paper materials

JB-1050A+JB-1020

The total length 23000MM the top width 3020MM the tiptop 2100MM



Full Automatic Stop Cylinder Screen Press + JB Series Screen Drying Machine

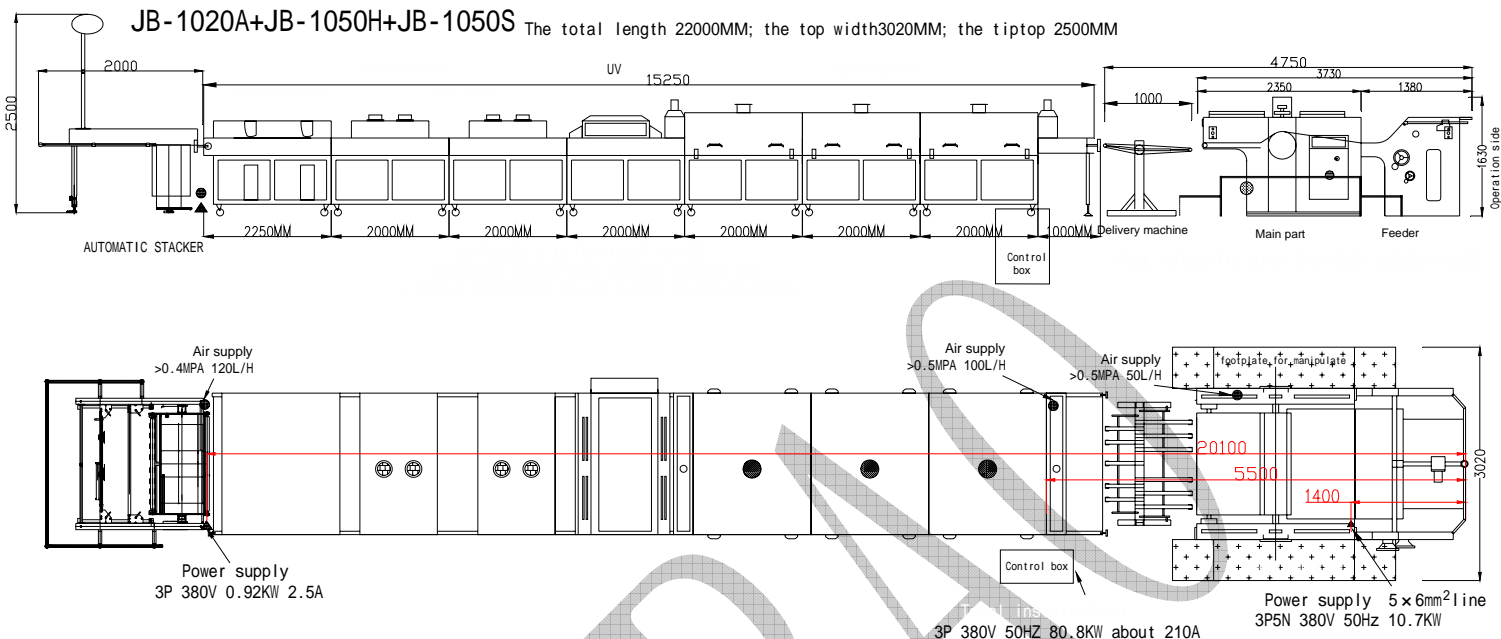
Power of whole machine: about 42.7 Kw; power of main part: 10.7Kw ;power of JB series screen drying machine: about 32Kw( power of heating silk thread: 9Kw×3 groups, main motor:1.5Kw, blower: 0.25Kw×5, cooling blower : 0.12Kw×7);

When the dryer used with the printing machine together, the power is offered by the printing machine and it is necessary to start the dryer motor.

Application:

Paper and plastic, such as general paper, transfer paper and so on . it meets the need of packing and upholstering products such as paper cases, paper boxes and drumbeating pictures.

### Three : Color ink、 UV Series



Full Automatic Stop Cylinder Screen Press + UV&IR dryer + Automatic delivery (optional)

Power of whole machine: about 91Kw

Power of main part: 8.89Kw(720A/800A), Power of UV&IR dryer : 81Kw ( IR dryer: power of lamp:2Kw × 9 × 3 groups, power of blower:0.55Kw × 2 × 3 groups, UV dryer: power of lamp : 8Kw × 2, Power of blower: 1.1Kw, Cooling device power of blower : 0.12Kw × 4 × 2 groups, air-condition :0.75Kw × 2, inhale 0.55Kw × 7 , Power of motor: 0.75Kw ), Power of Automatic delivery: 0.92Kw.

Characteristics: Especially suitable for whole frame

UV Series : UV spot varnish、 UV full varnish、 UV abrasive、 UV refraction、 UV foaming、 UV crinkle 、 UV crystal series、 colorful crystal etc and fake against printing.

Color ink series : all silk printing color ink series.

**NOTICES:** Chamber numbers can be ordered for your demand; the standard combination is 3 parts of ultrared dry, 1 part of UV, 2 parts of cooling device, and 1 part of air-condition.

**Remark:** Will no inform if the introduced optimal have amended.